

NOTES

ASSUMED LIVE LOAD ----- HL-93 OR ALTERNATE LOADING.
 DESIGN FILL-----
 FOR OTHER DESIGN DATA AND NOTES SEE STANDARD NOTE SHEET.
 3" Ø WEEP HOLES INDICATED TO BE IN ACCORD WITH THE SPECIFICATIONS.
 CONCRETE IN CULVERTS TO BE POURED IN THE FOLLOWING ORDER:

1. WING FOOTINGS AND FLOOR SLAB INCLUDING 4" OF ALL VERTICAL WALLS.
2. THE REMAINING PORTIONS OF THE WALLS AND WINGS FULL HEIGHT FOLLOWED BY ROOF SLAB AND HEADWALLS.

THE RESIDENT ENGINEER SHALL CHECK THE LENGTH OF CULVERT BEFORE STAKING IT OUT TO MAKE CERTAIN THAT IT WILL PROPERLY TAKE CARE OF THE FILL.

THIS BARREL STANDARD TO BE USED ONLY ON TRIPLE BARREL CULVERTS 8' OR OVER IN VERTICAL CLEARANCE ON 45° SKEW AND TO BE USED WITH STANDARD WING SHEET FOR THE SAME SKEW AND VERTICAL CLEARANCE.

DIMENSIONS FOR WING LAYOUT AS WELL AS ADDITIONAL REINFORCING STEEL EMBEDDED IN BARREL ARE SHOWN ON WING SHEET.

TRANSVERSE CONSTRUCTION JOINTS SHALL BE USED IN THE BARREL, SPACED TO LIMIT THE POURS TO A MAXIMUM OF 70 FT. LOCATION OF JOINTS SHALL BE SUBJECT TO APPROVAL OF THE ENGINEER.

STEEL IN THE BOTTOM SLAB MAY BE SPLICED AT THE PERMITTED CONSTRUCTION JOINT AT THE CONTRACTORS OPTION. EXTRA WEIGHT OF STEEL DUE TO THE SPLICES SHALL BE PAID FOR BY THE CONTRACTOR.

AT THE CONTRACTORS OPTION, HE MAY SPLICE THE VERTICAL REINFORCING STEEL IN THE INTERIOR FACE OF EXTERIOR WALL AND BOTH FACES OF INTERIOR WALLS ABOVE LOWER WALL CONSTRUCTION JOINT. THE SPLICE LENGTH SHALL BE AS PROVIDED IN THE SPLICE LENGTH CHART SHOWN ON THE PLANS. EXTRA WEIGHT OF STEEL DUE TO THE SPLICES SHALL BE PAID FOR BY THE CONTRACTOR.

AT THE CONTRACTOR'S OPTION HE MAY SUBMIT, TO THE ENGINEER FOR APPROVAL, DESIGN AND DETAIL DRAWINGS FOR A PRECAST REINFORCED CONCRETE BOX CULVERT IN LIEU OF THE CAST-IN-PLACE CULVERT SHOWN ON THE PLANS. THE DESIGN SHALL PROVIDE THE SAME SIZE AND NUMBER OF BARRELS AS USED ON THE CAST-IN-PLACE DESIGN. FOR OPTIONAL PRECAST REINFORCED CONCRETE BOX CULVERT, SEE SPECIAL PROVISIONS.

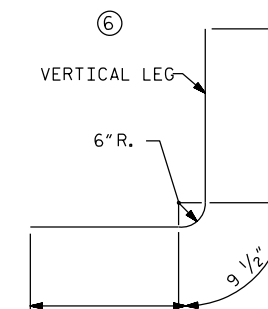
LOCATION SKETCH

TOTAL STRUCTURE QUANTITIES	
CLASS A CONCRETE	
BARREL @ _____ - CY/FT _____	- C.Y.
WINGS ETC. _____	- C.Y.
TOTAL _____	- C.Y.
REINFORCING STEEL	
BARREL _____	- LBS.
WINGS ETC. _____	- LBS.
TOTAL _____	- LBS.
CULVERT EXCAVATION	LUMP SUM
FOUNDATION COND. MATERIAL	- TONS
REMOVAL OF EXISTING STRUCTURE	LUMP SUM

PROJECT NO. _____
 _____ COUNTY
 STATION: _____

SHEET 1 OF 2

STATE OF NORTH CAROLINA
 DEPARTMENT OF TRANSPORTATION
 RALEIGH
 BARREL STANDARD
 TRIPLE FT. X FT.
 CONCRETE BOX CULVERT
 45° SKEW
 (8' AND OVER)



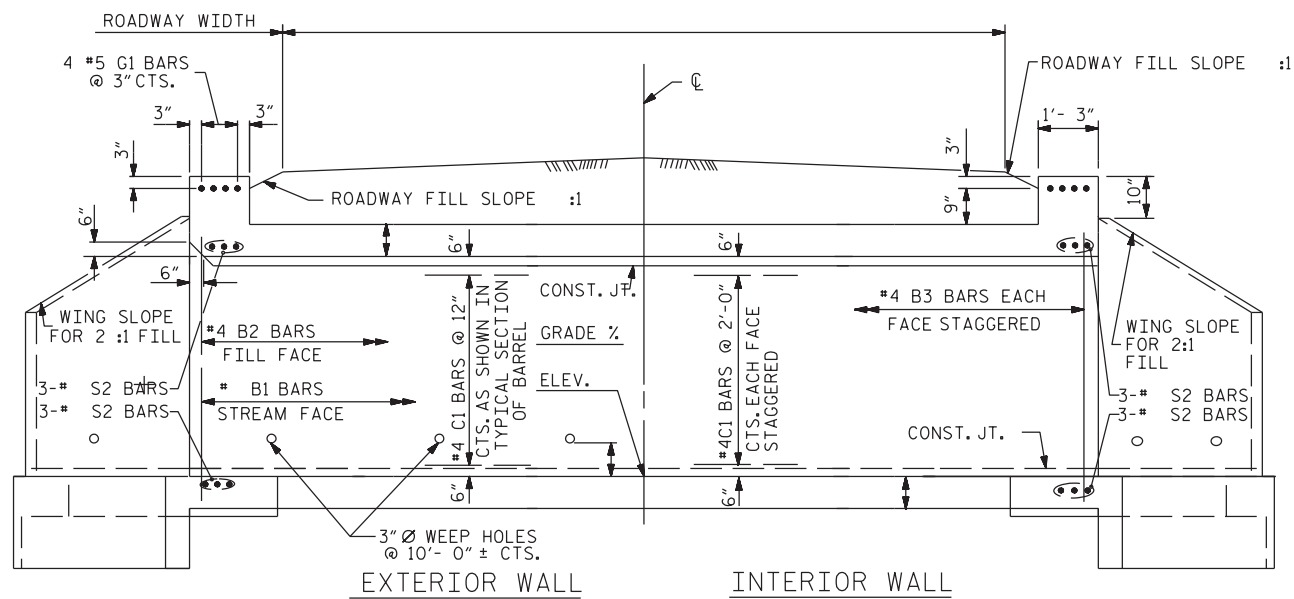
BAR TYPE
 DIMENSIONS ARE OUT TO OUT

PROFILE ALONG CULVERT

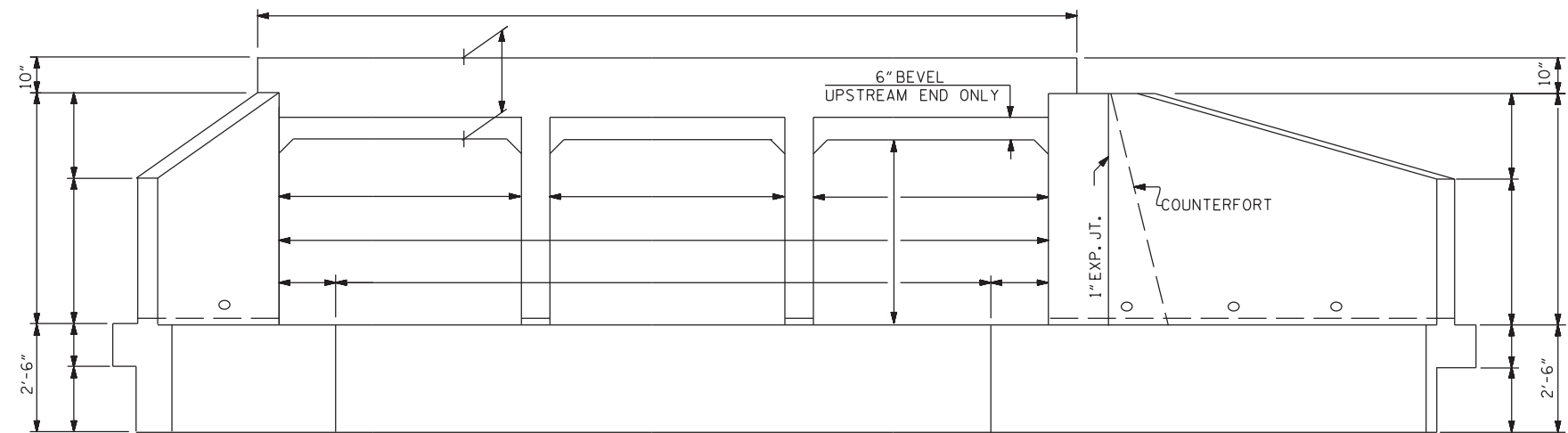
DOCUMENT NOT CONSIDERED
 FINAL UNLESS ALL
 SIGNATURES COMPLETED

REVISIONS						SHEET NO.
NO.	BY:	DATE:	NO.	BY:	DATE:	TOTAL SHEETS
1			3			
2			4			

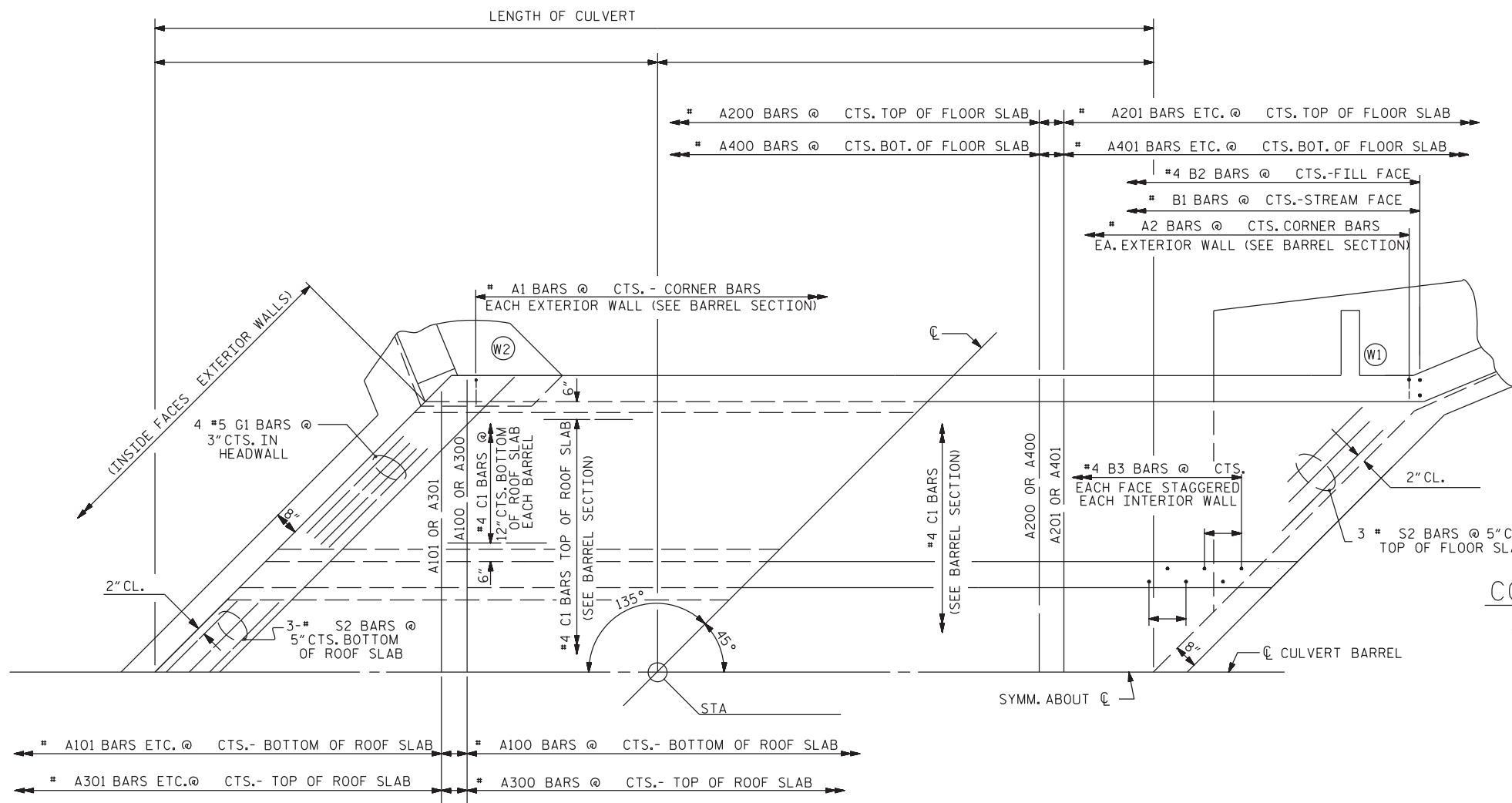
ASSEMBLED BY : -	DATE : -
CHECKED BY : -	DATE : -
DRAWN BY : DPD 10/90	REV. 6/19 MAA/THC
CHECKED BY : ARB 10/90	



CULVERT SECTION NORMAL TO ROADWAY

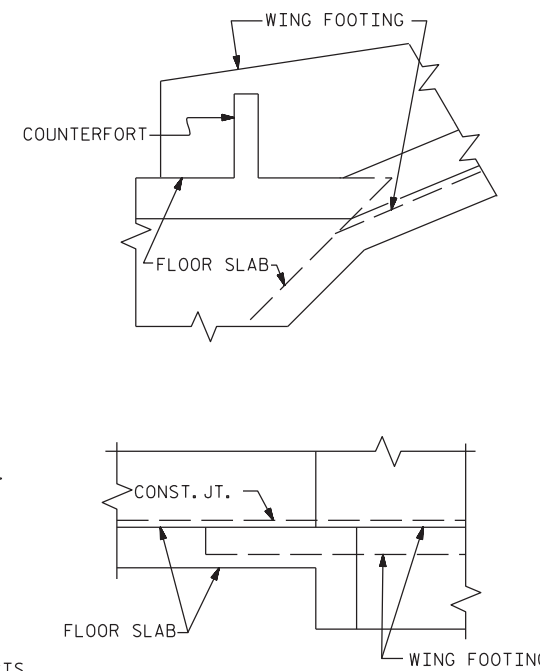


END ELEVATION NORMAL TO SKEW

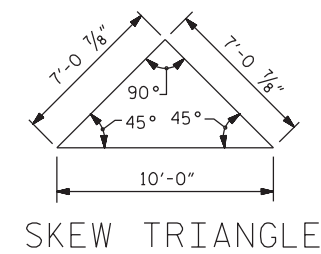


PART PLAN - ROOF SLAB

PART PLAN - FLOOR SLAB



CONNECTION OF WING FOOTING AND FLOOR SLAB WHEN SLAB IS THICKER THAN FOOTING



SKEW TRIANGLE

PROJECT NO. _____

_____ COUNTY

STATION: _____

SHEET 2 OF 2

STATE OF NORTH CAROLINA
DEPARTMENT OF TRANSPORTATION
RALEIGH

BARREL STANDARD

TRIPLE FT. X FT.
CONCRETE BOX CULVERT
45° SKEW
(8' AND OVER)

ASSEMBLED BY : -	DATE : -
CHECKED BY : -	DATE : -
DRAWN BY : DPD 10/90	REV. 6/19 MAA/THC
CHECKED BY : ARB 10/90	

DOCUMENT NOT CONSIDERED
FINAL UNLESS ALL
SIGNATURES COMPLETED

REVISIONS						SHEET NO.
NO.	BY:	DATE:	NO.	BY:	DATE:	
1			3			TOTAL SHEETS
2			4			

STD. NO. CB45_3M